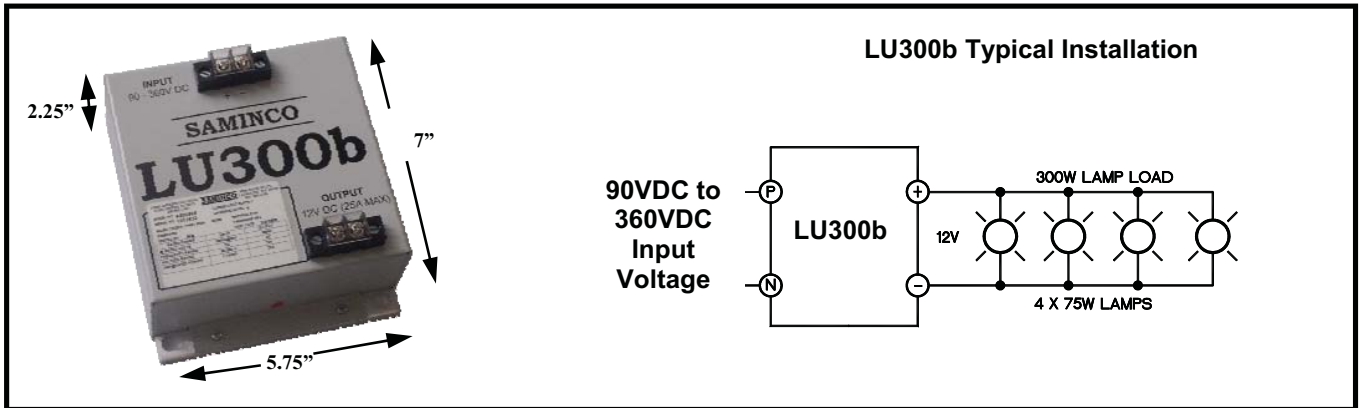


**LU300b**  
**12VDC 300W Light Supply**  
**90V to 360VDC Input**

**SAMINCO**  
 ELECTRIC TRACTION DRIVES



- Compact, 12V, 300W light supply (25A@12V output) Fits mounting dimensions of other makes of 100W and 200W light supplies
- Wide input voltage range: 90VDC to 360VDC. Can be used with positive as well as negative grounded systems
- Output is fully isolated from input
- Input is reverse polarity protected
- Protected against output short circuits
- Used in battery or trolley-operated vehicles such as: scoops, portal buses, locomotives and shuttle cars
- Approved for use in Pennsylvania mines **Bote:1754-99**

<b>SAMINCO Part Number:</b>	<b>A800966</b>	
<b>Specifications:</b>		
<b>Input Voltage:</b>	90V to 360V	
<b>Output:</b>	25A @ 12V (300W)	
<b>Efficiency @ 300W:</b>	83% (max. heat loss is 51W)	
		<b>Isolation Rating</b>
		<b>Input to base plate:</b> 2500VAC, RMS
		<b>Input to output:</b> 2500VAC, RMS
		<b>Output to baseplate:</b> 500VAC, RMS
<b>Thermal Impedance (baseplate to ambient):</b>	0.6°C/W	
<b>Operating Temperature Range:</b>	-20°C (12°F) to 60°C (140°F)	
<b>Maximum Heatsink Temperature:</b>	85°C (185°F)	
<b>Protection:</b>	-Output is short-circuit protected. -Input is reverse polarity protected. -LU300b cuts out if baseplate temperature exceeds 85°C (185°F). -LU300b cuts out without damage, if input voltage is sustained at 365V to 400VDC.	
<b>Series Connection:</b>	The LU300b can be connected in series to provide +24V @ 25A or +/- 12V @ 25A.	
<b>Mounting:</b>	Mount the LU300b on a solid metal frame to help dissipate heat generated at maximum output.	