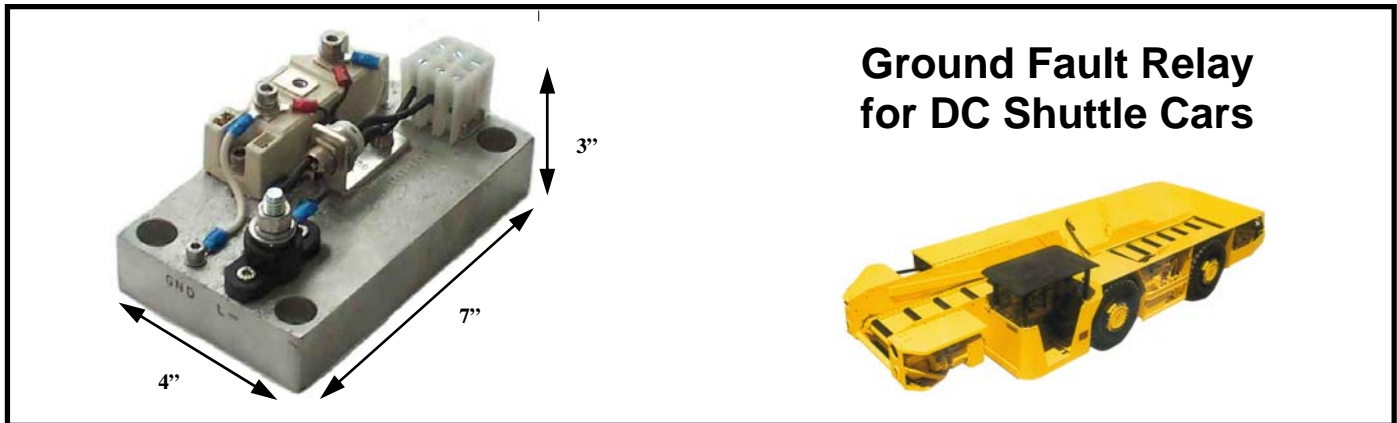


Ground Fault Relay
GFR15N
 15A DC



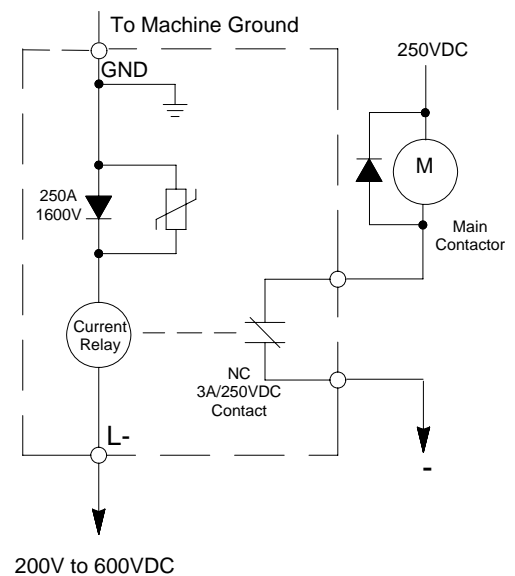
**Ground Fault Relay
 for DC Shuttle Cars**

- Grounding Diode/Relay for Negative Ground DC ShuttleCars
- Sensing Current 15A DC Maximum
- Rated for DC Supplies from 200VDC to 600VDC
- Same Mounting Dimensions and Footprint as OEM-Type Grounding Assembly
- Also Available for Positive Ground Systems—Contact Factory for Part Number
- Normally Closed Output Contact rated for 3A/250VDC
- Assembly can be mounted in any Position—Does not use Mercury Tube Contacts

Saminco Part Number: A800203 (Negative Ground)

Specifications:

Input Voltage:	200VDC to 600VDC
Sensing Current:	15A DC Maximum
Output Contact Current:	3A / 250VDC Rating
Diode Rating:	250A 1600V



4500 State Rt. 152 Lavalette, WV 25535
 Phone: (304) 523-4700 Fax: (304) 523-4039

10030 Amberwood Road Fort Myers, FL 33910
 Phone: (239) 561-1561 Fax: (239) 561-1502